

**AUTOMATIC LAYER PALLETIZER LOWER ENTRY. MAXIMUM PRODUCTION 3 LAYERS PER MINUTE DEPENDING PLAN OF PALLETIZING. MODEL EUR-PB.**

**PRODUCTS: BOXES, SHRINK PACKAGES, PLASTIC CRATES...**



## **WORKING**

The palletizer receives the package to the lower level by a conveyor. According to the palletizing plan packages are rotated or not to form a row. Retractable pusher pushes the row to an intermediate table for preparing the layer. Once the layer formed, the platform rises to the uppermost level of the last layer / pallet and the pusher comes lead the layer to the top of the layer / pallet then drop it off. The centering of the entire layer is effected by 4 lateral guides to leave the package perfectly aligned on the pallet.

## **TECHNICAL SPECIFICATIONS**

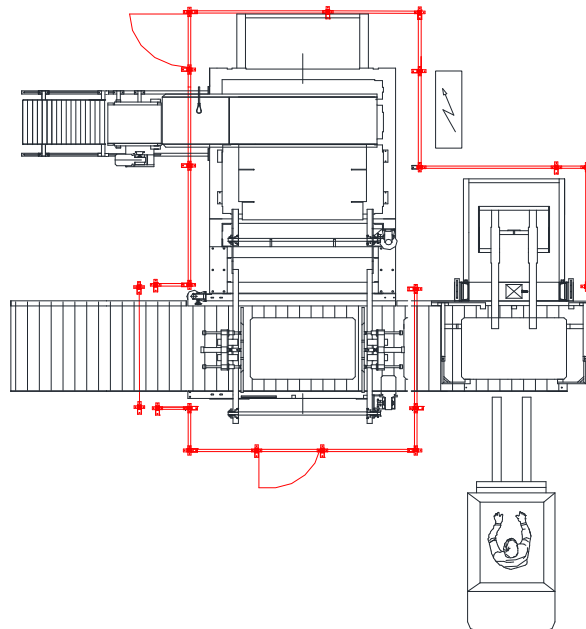
Very robust design. All mechanical, pneumatic, electrical and electronic are high quality, standards and available on the market. Programming new palletizing plans is easy with our operator / machine interface for the touch screen.

## **OPTIONS AVAILABLE**

Separation of packages for forming the layer by servomotor system. Motorization lateral guides of the platform for automatic size change. Automatic destocker for half pallets. Checking system opened boxes from above. Modem intervention service remotely. Deposit system of intercalated sheets between layers. Dispensing system of cardboard or plastic film on top of the empty pallet. Cardboard dispensing system on top of the last layer, etc.

Example of configuration : pallets 1000 x 1200 mm.

Other configurations possibles.



Voltage	220 V ou 380 V
Installed electric power	8 KW
Air consumption per cycle	30 L per cycle
Air pressure	6 atm.
Maximum production	3 layers per minute depending palletizing plan

