

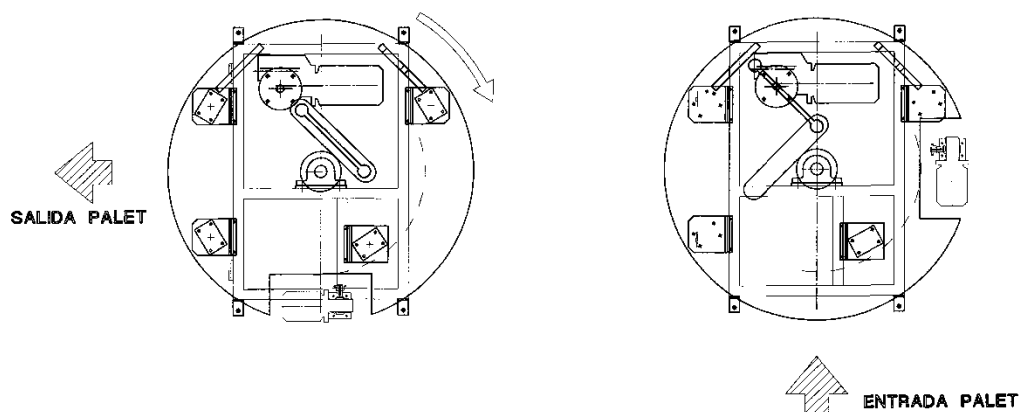
ELEMENTS OF TRANSPORT AND CONVEYING FOR PALLETS

CONVEYORS ON PIVOTING TABLE



TECHNICAL ESPECIFICATIONS

Very robust design. All mechanical, pneumatic and electronic elements are high quality, standards and available on the market.



Voltage	220 V ou 380 V
Installed electric power	1 KW

